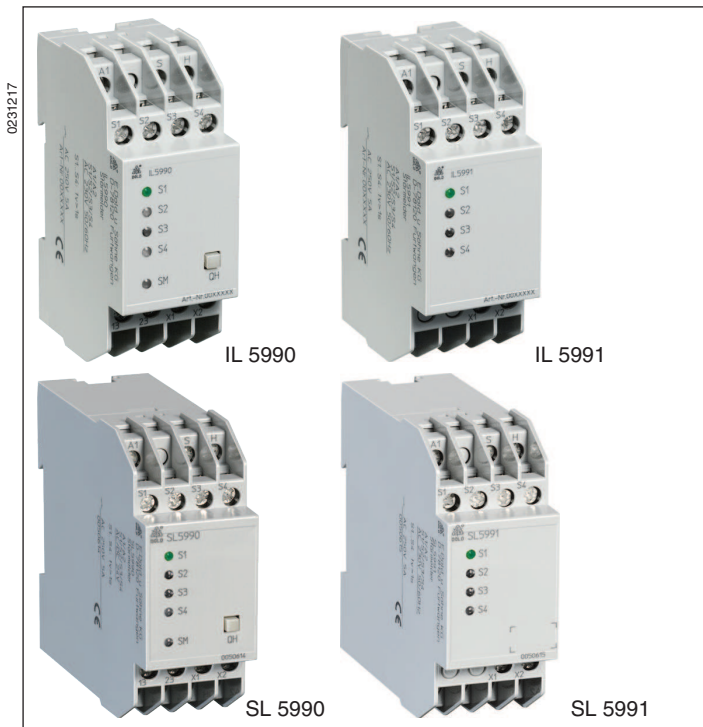


INFOMASTER Fault Annunciator System IL 5990, IL 5991, SL 5990, SL 5991



- According to DIN 19235
- Common alarm annunciator
- Expandable from 4 up to 160 inputs
- Open circuit inputs / closed circuit inputs selectable via bridges X1-X2
- Delayed inputs up to 10 s
- Acknowledgement push button QH for external buzzer built in
- Accessories: Buzzer IK 8832, SK 8832
- Devices available in 2 enclosure versions:
 - I-model: depth 61 mm, with terminals at the bottom for installations systems and industrial distribution systems according to DIN 43 880
 - S-model: depth 100 mm, with terminals at the top for cabinets with mounting plate and cable duct
- Width 35 mm

Fault annunciator IL 5990, SL 5990:

- 4 inputs with LED on control unit
- 1 output for common signal and 1 output for audible alarm

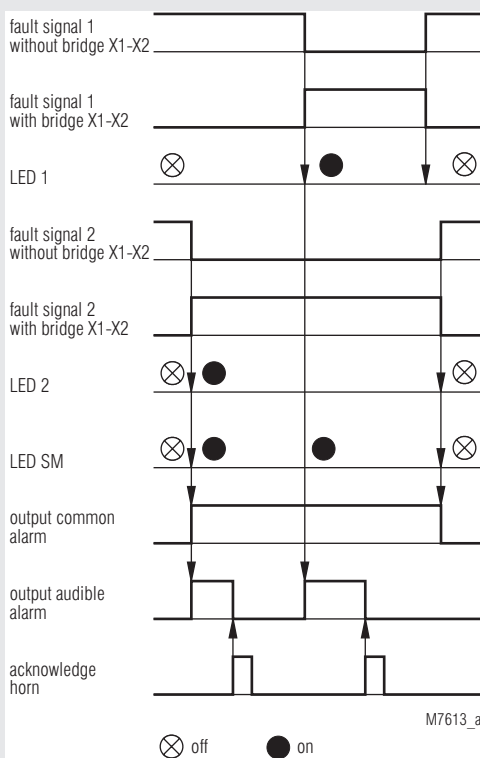
Extension unit IL 5991, SL 5991:

- 4 inputs with LED on control unit

Approvals and Markings



Function Diagram



Application

For monitoring of industrial plants and buildings

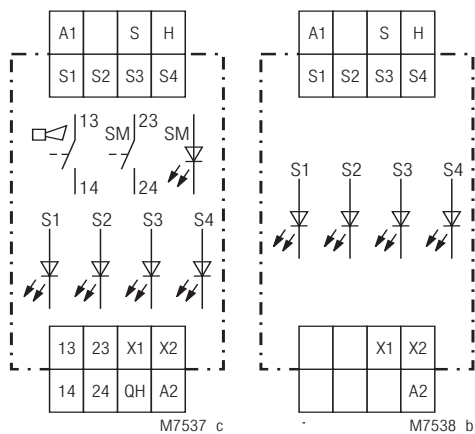
Notes

The terminals A1, inputs S1 - S4 and the acknowledgement input Q_H have to be connected at the same phase. The NO contacts 13 - 14 , 23 - 24 have to be connected to the same phase. The bus-circuits H and S have a low voltage and are not allowed to be connected to any external voltage. If inductive or capacitive superimposed voltages are expected from power cables, it is recommended, to use screened cables for these lines. The screen is to be connected to ground.

Bridge X1 - X2 = open circuit operation

A different setting of the fault annunciator IL 5990 and the extension unit IL 5991 is possible.

Circuit Diagrams



IL 5990, SL 5990

IL 5991, SL 5991

Connection Terminals

Terminal designation	Signal designation
A1	+ / L
A2	- / N
S1, S2, S3, S4	Measuring input for alarm
X1, X2	Control input for closed - / open circuit operation
QH	Control input for acknowledgement audible alarm
13, 14	Relay output for audible alarm
23, 24	Relay output for common alarm
H	Bus leads audible alarm
S	Bus leads common signal

Technical Data

Input

Nominal voltage A1-A2 and inputs S1-S4:	AC 230 V, AC/DC 24 V
Voltage range:	0,8 ... 1,1 U _N
Nominal consumption:	8 VA
Nominal frequency:	50 / 60 Hz
Min. time for input signal:	≥ 100 ms
Min. time for acknowledgement:	≥ 200 ms
Operate delay:	1 s, 3 s, 10 s

Output

Contacts:	1 NO contact for common signal and audible alarm
Thermal current I_{th}:	5 A
Switching capacity to AC 15:	1 A / 230 V IEC/EN 60 947-5-1
Electrical life to AC 15 at 1 A, AC 230 V:	IEC/EN 60 947-5-1 ≥ 1,5 x 10 ⁶ switching cycles
Short circuit strength max. fuse rating:	4 A gL IEC/EN 60 947-5-1
Mechanical life:	≥ 30 x 10 ⁶ switching cycles

General Data

Operating mode:	Continuous operation
Temperature range:	- 20 ... + 60°C
Clearance and creepage distances	
rated impulse voltage / pollution degree:	4 kV / 2 IEC 60 664-1
EMC	
Electrostatic discharge:	8 kV (air) IEC/EN 61 000-4-2
HF-irradiation	
80 MHz ... 1 GHz:	10 V / m IEC/EN 61 000-4-3
1 GHz ... 2.7 GHz:	3 V / m IEC/EN 61 000-4-3
Fast transients:	2 kV IEC/EN 61 000-4-4
Surge voltages between	
wires for power supply:	1 kV IEC/EN 61 000-4-5
between wire and ground:	2 kV IEC/EN 61 000-4-5
Interference suppression:	Limit value class B EN 55 011
Degree of protection	
Housing:	IP 40 IEC/EN 60 529
Terminals:	IP 20 IEC/EN 60 529
Housing:	Thermoplast with V0 behaviour according to UL subject 94
Vibration resistance:	0,35 mm Amplitude, frequency 10 ... 55 Hz IEC/EN 60 068-2-6
Climate resistance:	20 / 060 / 04 IEC/EN 60 068-1
Terminal designation:	EN 50 005
Terminal designation:	2 x 2,5 mm ² solid or 2 x 1,5 mm ² stranded ferruled DIN 46 228-1/-2/-3/-4
Wire connection:	Flat terminals with self-lifting clamping piece IEC/EN 60 999-1
Fixing torque:	0,8 Nm IEC/EN 60 999-1
Mounting:	DIN rail IEC/EN 60 715
Weight	
IL 5990:	approx. 140 g
IL 5991:	approx. 120 g
SL 5990:	approx. 170 g
SL 5991:	approx. 150 g

Dimensions

Width x height x depth	
IL 5990, IL 5991:	35 x 90 x 61 mm
SL 5990, SL 5991:	35 x 90 x 100 mm

Standard Types

IL 5990 AC 230 V 50 / 60 Hz 1 s
Article number: 0049188
SL 5990 AC 230 V 50 / 60 Hz 1 s
Article number: 0051721

- Nominal voltage U_N : AC 230 V
- Operate delay: 1 s
- Width: 35 mm

IL 5991 AC 230 V 50 / 60 Hz 1 s
Article number: 0049189
SL 5991 AC 230 V 50 / 60 Hz 1 s
Article number: 0050615

- Nominal voltage U_N : AC 230 V
- Operate delay: 1 s
- Width: 35 mm

Ordering example

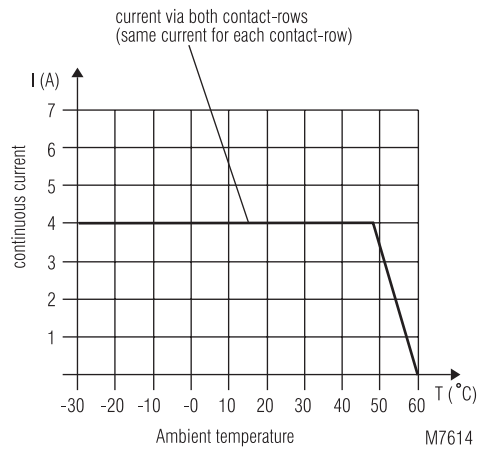
IL 5990 AC 230 V 50 / 60 Hz 1 s

Operate delay
Nominal frequency
Nominal voltage
Type

Accessories

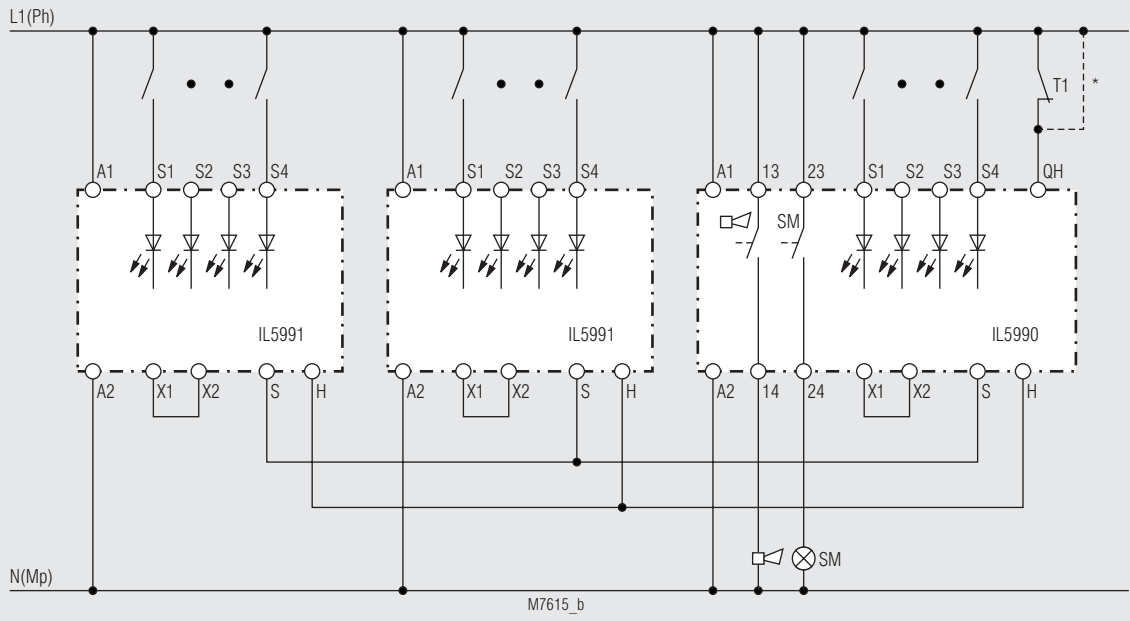
Buzzer IK 8832, SK 8832: Article number: 0049528

Characteristics



Continuous current-limit curve

Connection Example



with bridge X1/X2 open circuit operation
without bridge X1/X2 closed circuit operation

T1 external acknowledgement push button for audible alarm
* without external acknowledgement push button has to be replaced by a bridge